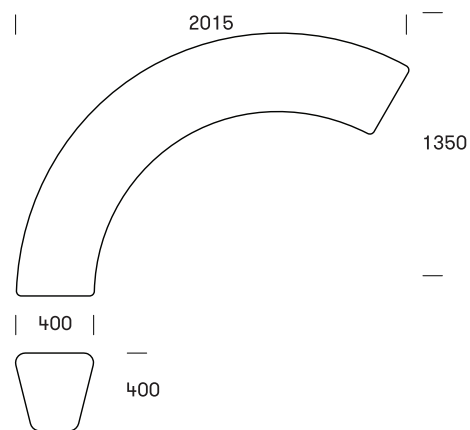


FACTS

LOOP ARC # 137

Loop Arc is an innovative piece of furniture for sitting and socializing. Clean simplicity. Options unfold in combination with several Loop Arcs or other members of the loop family: twisting through trees, squares and playgrounds or forming variously shaped sandpits.

Design: AART Designers



TECHNICAL DATA

Material

Rotation moulded polyethylene, 6-7 mm thick, dyed. Moulded in one piece. UV-resistant, stands up to weather, wear and tear. The material is suitable for granulation and recycling.

Surfaces and friction

The products have a textured/granulated surface due to abrasive blasting of the mold. This process enhances the friction and makes the surface less slippery.

Authentication

TÜV approved as playground equipment acc. EN1176.

Dimensions

One module: R1350mm, H400mm, Width (cross section): 400mm.

Volume: 300 litres. 3 x modules (circle): outside diameter: Ø2700 / inside diameter Ø1900mm. 8-10 seats inside / 12-14 seats outside. In the centre playground for 4-5 children.

Combinations

Form Loop Arc like an "O" (circle, 3 modules), like a "C" (2 modules), or like a "S" (2 or more modules). Also combine Loop Arc with Loop.

Assembling & fixation

The modules are joined with brackets (B4) at either end. Fill them 3/4 with water (225 liter) / sand (225 kg) or fasten them to the ground. Brackets to be ordered separately.

Maintenance

This product withstands most cleaning agents and chemicals and can be cleaned using a high-pressure cleaner. The colour can be revived using vinyl cleaner or similar.

Family

Loop, Loop Light, Loop Line

Product code

137 0101 Loop Arc red / 26kg
 137 0102 Loop Arc limegreen / 26kg
 137 0103 Loop Arc orange / 26kg
 137 0104 Loop Arc yellow / 26kg
 137 0109 Loop Arc purple / 26kg
 137 0111 Loop Arc sandstone / 26kg
 137 0113 Loop Arc grey / 26kg
 137 0117 Loop Arc blue / 26kg
 137 0115 Loop Arc pastel blue / 26kg
 137 0116 Loop Arc mokka brown / 26kg
 137 0118 Loop Arc olive green / 26kg
 137 0150 Loop Arc white / 26kg
 900B2 Brackets for ground fixation
 900B3 Brackets for surface fixation
 900B4 Connection bracket
 900R2 Rubberfeets

Standard colours (approx. RAL)



Red: RAL 3020



Limegreen: RAL 120 70 60



Orange: RAL 2003

Variant colours (approx. RAL)



Yellow: RAL 1018



Purple: RAL 4004



Sandstone



Grey: RAL 7015



Blue: RAL 5010



Pastel blue: RAL 5024



Mokka brown: RAL 8028



Olive green: RAL 6025



White: RAL 9003