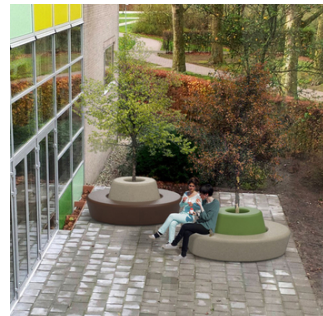
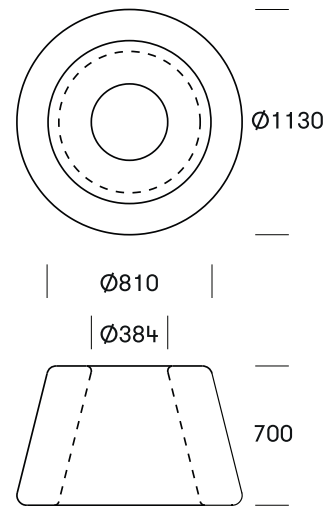


# LOOP CONE BACKREST # 169

Loop Cone is a multi-purpose unit. When positioned in the middle of a Loop it becomes a backrest as well as a planter. On its own it becomes a self-contained up- or downward facing planter.

Design: AART Designers



# TECHNICAL DATA

## Material

Rotation moulded polyethylene, 6mm thick, dyed. Moulded in one piece. UV-resistant, stands up to weather, wear and tear. The material is suitable for granulation and recycling.

## Surfaces and friction

The mould is sandblasted to provide a rough surface to increase friction and minimize slippage on the surface of the final product.

## Dimensions

Outside diameter: Ø1130mm/Ø810 x H700mm. Inside diameter: Ø720/380mm

Inner volume for e.g. plants: 170L

## Combinations

Loop Cone works as a self-contained table or planter or combines with #135 Loop, #137 Loop Arc, and #157 HopOp500.

## Mounting

Loop Cone may be filled with water or sand through an integrated pipe or attached to the ground with fittings.

## Maintenance

This product withstands most cleaning agents and chemicals and can be cleaned using a high-pressure cleaner. The colour can be revived using vinyl cleaner or similar

## Family

Loop, Loop Arc, Loop Line, Loop Light, Loop Corner

## Product code

169 0101 Loop Cone red / 26kg  
 169 0102 Loop Cone limegreen / 26kg  
 169 0103 Loop Cone orange / 26kg  
 169 0104 Loop Cone yellow / 26kg  
 169 0109 Loop Cone purple / 26kg  
 169 0111 Loop Cone sandstone / 26kg  
 169 0113 Loop Cone grey / 26kg  
 169 0117 Loop Cone blue / 26kg  
 169 0115 Loop Cone pastel blue / 26kg  
 169 0116 Loop Cone mokka brown / 26kg  
 169 0118 Loop Cone olive green / 26kg  
 169 0150 Loop Cone white / 26kg

## Standard colours (approx. RAL)



Red: RAL 3020



Orange: RAL 2003



Limegreen: RAL 120 70 60

## Variant colours (approx. RAL)



Yellow: RAL 1018



Purple: RAL 4004



Sandstone



Grey: RAL 7015



Blue: RAL 5010



Pastel blue: RAL 5024



Mokka brown: RAL 8028



Olive green: RAL 6025



White: RAL 9003

B13 Connection and fixation bracket f. Cone-Loop