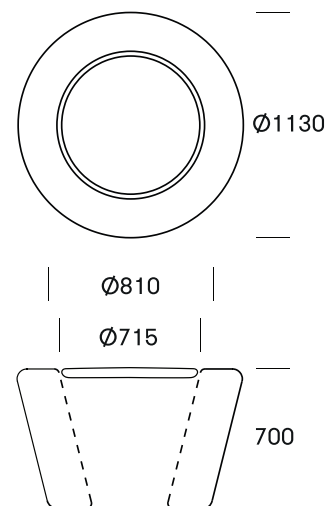


FACTS

LOOP CONE TABLE # 169

Loop Cone Table may be combined with different seating elements. This enables a large number of combinations. For instance Loop Cone Table may be combined with Loop Arc to create a wave pattern of seating with tables interposed. Using HopOp seating bollards on the other hand creates round groups of seating.

Design: AART Designers



TECHNICAL DATA

Material

Rotation moulded polyethylene, 6 mm thick, dyed. UV-resistant, stands up to weather, wear and tear. The material is suitable for granulation and recycling.

Surfaces and friction

The products have a textured/granulated surface due to abrasive blasting of the mold. This process enhances the friction and makes the surface less slippery. Top: Smooth surface

Dimensions

Top: Ø1130mm / Bottom: Ø810mm / H700mm

Combinations

Loop Cone Table can be combined with various numbers of HopOp (recommended no: 6), or Loop Arc, winding around the table or forming a ring (requires 3 x Loop arc).

Color Choices

Loop Cone Table is composed of Loop Cone + Tabletop, which must be ordered separately. Loop Cone and tabletop may be the same colour or two different colours.

Mounting

For surface fixation or fill with water/sand. Brackets to be ordered separately. Please see mounting instruction.

Maintenance

This product withstands most cleaning agents and chemicals and can be cleaned using a high-pressure cleaner. The colour can be revived using vinyl cleaner.

Family

Loop, Loop Light, Loop Arc, Loop Line, Loop Corner, Picnic

Product code

169 0101 Loop Cone red / 26kg
 169 0102 Loop Cone lime green / 26kg
 169 0103 Loop Cone orange / 26kg
 169 0104 Loop Cone yellow / 26kg
 169 0109 Loop Cone purple / 26kg
 169 0111 Loop Cone sandstone / 26kg
 169 0113 Loop Cone grey / 26kg
 169 0117 Loop Cone blue / 26kg
 169 0115 Loop Cone pastel blue / 26kg
 169 0116 Loop Cone mocha brown / 26kg
 169 0118 Loop Cone olive green / 26kg
 169 0150 Loop Cone white / 26kg
 178 0101 Tabletop f. Loop Cone red / 5kg
 178 0102 Tabletop f. Loop Cone lime green / 5kg
 178 0103 Tabletop f. Loop Cone orange / 5kg
 178 0108 Tabletop f. Loop Cone anthracite / 5kg
 B11 Bracket for surface mounting
 Loop Cone Table is a combination of Loop Cone + Tabletop.
 When ordering, use product code 169 + 178.

Standard colours (approx. RAL)



Red: RAL 3020



Orange: RAL 2003



Lime green: RAL 120 70 60

Variant colours (approx. RAL)



Yellow: RAL 1018



Purple: RAL 4004



Sandstone



Grey: RAL 7015



Blue: RAL 5010



Pastel blue: RAL 5024



Mocha brown: RAL 8028



Olive green: RAL 6025



White: RAL 9003