

FACTS

PLATEAU-O

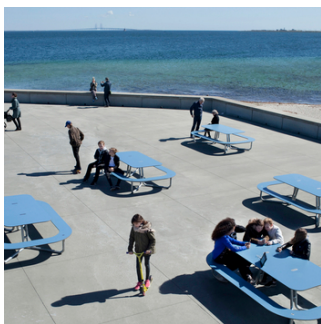
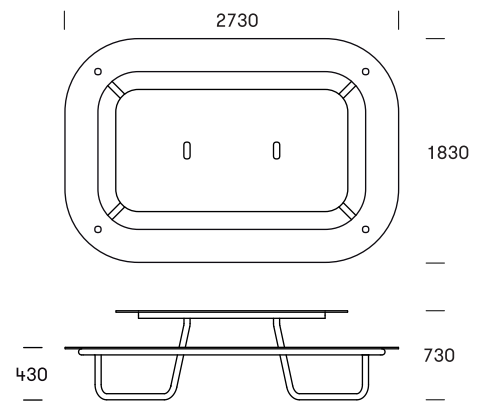
177

PLATEAU presents a stringent - almost graphic - expression firmly rooted in the Scandinavian design tradition. Designed to provide numerous seats in socially oriented formations, Plateau is produced from durable materials requiring no other maintenance than soap and water.

Three available models provide accessibility for all kinds of users. Combining the models in different ways provides a variety of solutions both functionally and aesthetically.

Plateau O is the basic model: a table with an integrated bench all the way around it. Seats 10-12.

Design: Holscher Design



TECHNICAL DATA

Material

Seat/tabletop: robust, multi-layered and dyed 12mm HPL (High Pressure Laminate) available in 6 colours. Highly UV- and weather-resistant, solid mechanical quality and durability. Frame: Hot galvanized steel or hot galvanized steel + textured, anthracite powder-paint. Approx. colour code RAL 7024. Disc: Bead blasted stainless steel.

Dimensions

L2730 x B1830 x H730mm
Seats up to 12 people

Fixation

4 x Ø14mm holes. For surface fixation.

Variant

Frame + HPL are available in other colours.

Family

[Plateau L](#)

6-8 seats, open access, wheel chair friendly

[Plateau L](#)

8-10 seats, open access, kids chair friendly

Maintenance

Maintenance-free and easy to clean. Graffiti removes easily. All parts can be individually replaced in case of vandalism.

Product code

177 0174 Plateau O, grey white HPL/galv./140 kg

177 0101 Plateau O, mars red HPL/galv./140 kg

177 0118 Plateau O, olive HPL/galv./140 kg

177 0105 Plateau O, steel blue HPL/galv./140 kg

177 0100 Plateau O, corro HPL/galv./140 kg

177 0108 Plateau O, anthracite HPL/galv./140 kg

177 0274 Plateau O, grey white HPL/paint./140 kg

177 0201 Plateau O, mars red HPL/paint./140 kg

177 0218 Plateau O, olive HPL/paint./140 kg

177 0205 Plateau O, steel blue HPL/paint./140 kg

177 0200 Plateau O, corro HPL/paint./140 kg

177 0208 Plateau O, anthracite HPL/paint./140 kg

Standard colours (approx. RAL)



Anthracite: RAL 7024



Grey white: RAL 9002



Corro: RAL 8011



Steel blue: RAL 5024



Olive: RAL 6013



Mars red: 3020